

pad printing | **TampoBASIC**



PAD PRINTERS **TampoBASIC series**

In response to the customers' expectations, we have developed a base product for pad printing at Keller: the TampoBASIC machine series.

Main features of our TampoBASIC machines are:
safety (light curtains, three-sided PC safety housing),
ease of operation and adjustment, versatility
- for printing on small and large products, ergonomics.

Machine characteristics:

- ✓ the machine can have 1 or 2 colors
- ✓ Weintek 7" HMI control panel with recipe memory
- ✓ equipped with SICK safety light curtains
- ✓ coordinate table for the workpiece, with precise positioning, no backlash, no need for counteracting, and tool-less operation
- ✓ powder-coated steel body
- ✓ pneumatic shuttle table for the workpiece
- ✓ precise table height adjustment under the workpiece
- ✓ tool-less adjustment of the ink cup pressure
- ✓ pneumatic cup and pad drivers
- ✓ coordinate table for pad position adjustment
- ✓ scales for pad adjustment
- ✓ three-sided PC safety housing
- ✓ SICK safety relay
- ✓ AIRTAC pneumatic components
- ✓ possibility of creating, saving and using recipes
- ✓ footswitch
- ✓ compressed air pre-drying
- ✓ technological locker in the machine



TampoBASIC



TampoBASIC DUO

TampoBASIC 1 - color

TampoBASIC DUO 2 - colors

TampoBASIC 70	pneumatic without bench, ink cup 70, plate 75x150
TampoBASIC 70 T	pneumatic with bench (T), ink cup 70, plate 75x150
TampoBASIC 100	pneumatic without bench, ink cup 100, plate 125x250
TampoBASIC 100 T	pneumatic with bench (T), ink cup 100, plate 125x250
TampoBASIC 120	pneumatic without bench, ink cup 120, plate 125x250
TampoBASIC 120 T	pneumatic with bench (T), ink cup 120, plate 125x250
TampoBASIC OV	oval ink cup 90 x 230 (OV), pneumatic without bench, plate 250x250
TampoBASIC OV T	oval ink cup 90 x 230 (OV), pneumatic with bench (T), plate 250x250
TampoBASIC DUO 70	pneumatic without bench, ink cup 70 x 2, 2xplate 75x150
TampoBASIC DUO 70 T	pneumatic with bench (T), ink cup 70 x 2, 2xplate 75x150
TampoBASIC DUO 100	pneumatic without bench, ink cup 100 x 2, 2xplate 125x250
TampoBASIC DUO 100 T	pneumatic with bench (T), ink cup 100 x 2, 2xplate 125x250
TampoBASIC DUO 120	pneumatic without bench, ink cup 120 x 2, 2xplate 125x250
TampoBASIC DUO 120 T	pneumatic with bench (T), ink cup 120 x 2, 2xplate 125x250

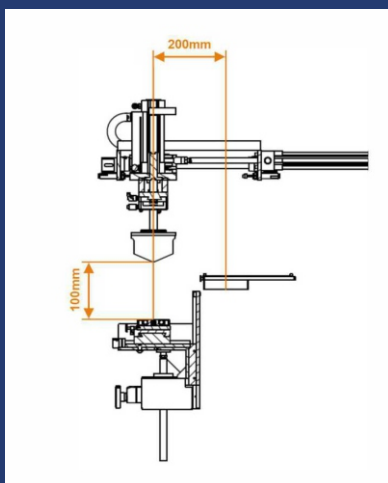


without bench



with bench

PADS STROKE



Outer diameter of the inkcup	70mm, 100mm, 120mm, 230x90mm (oval)
Maximum size of detail	510x168x124h mm
Pad stroke horizontal	200 mm
Pad stroke vertical	100 mm
Maximum pad pressure	1200 N
Power supply	230V AC
Pneumatic supply	Ø 10 6-8 BAR
Machine with bench - weight	400 kg
Machine without bench - weight	200 kg
Max. printing speed of the 1 color machine	2 sec per cycle
Max. printing speed of the 2 colors machine	6 sec per cycle